

**Short-stroke device type KH 50**

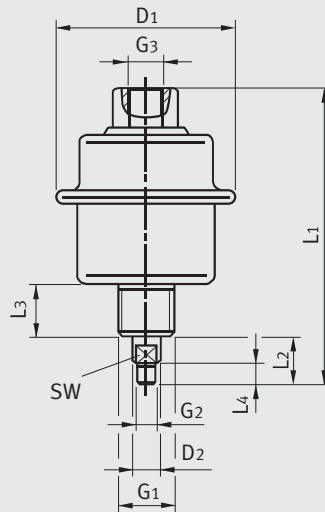
Weight 0.13 kg  
 Single-acting  
 Max. pressurisation = 10 bar  
 Max. stroke = 8 mm  
 Air consumption per stroke/6 bar = 0.01–0.05 l  
 Ambient temperature = -20 °C – +80 °C

**Medium-stroke device type MH 50**

Weight 0.13 kg  
 Single-acting  
 Max. pressurisation = 10 bar  
 Max. stroke = 20 mm  
 Air consumption per stroke/6 bar = 0,01–0,12 l  
 Ambient temperature = -20 °C – +80 °C



**KH 50 (AL)**



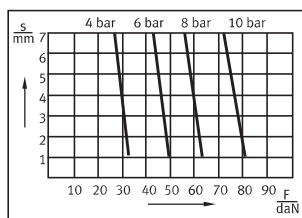
**MH 50**

**Design:**

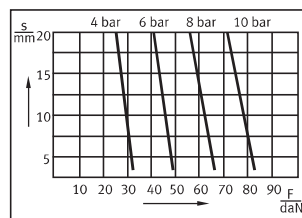
Housing: special deep-drawing sheet steel, galvanised respectively KH50 Aluminium turning work piece. Piston rod made of stainless steel. Guide bushing with self-lubrication. Piston rod not rotating, due to riveting with diaphragm

**Properties**

**Type KH 50**



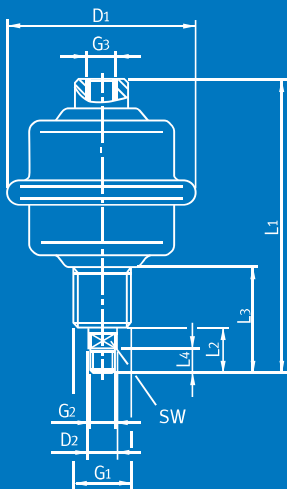
**Type MH 50**



Dimensions										
Type	D1	D2	L1	L2	L3	L4	G1	G2	G3	SW
KH 50	51,5	8	73	12,5	15	6	M16 x 1,5	M6	G 1/8	6
MH 50	51	8	80	13,5	15	6	M16 x 1,5	M6	G 1/8	6



KH 100



MH 100

**Short-stroke device type KH 100**

Weight 0.6 kg  
 Single-acting  
 Max. pressurisation = 10 bar  
 Max. stroke = 20 mm  
 Air consumption per stroke/6 bar = 0.1–0.35 l  
 Ambient temperature = -20 °C – +80 °C

**Medium-stroke device type MH 100**

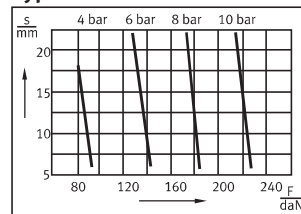
Weight 0.9 kg  
 Single-acting  
 Max. pressurisation = 10 bar  
 Max. stroke = 50 mm  
 Air consumption per stroke/6 bar = 0.1–0.6 l  
 Ambient temperature = -20 °C – +80 °C

**Design:**

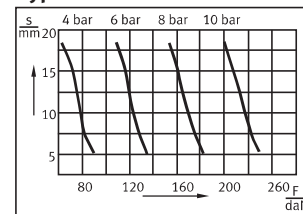
Housing: special deep-drawing sheet steel, galvanised. Piston rod made of stainless steel. Guide bushing with self-lubrication. Piston rod not rotating, due to riveting with diaphragm

**Properties**

**Type KH 100**



**Type MH 100**



**Dimensions**

Type	D1	D2	L1	L2	L3	L4	G1	G2	G3	SW
KH 100	78	12	120	18,5	43,5	10	M24 x 1,5	M10	G 1/4	10
MH 100	78	12	144,5	18,5	43,5	10	M24 x 1,5	M10	G 1/4	10

**Short-stroke device type KH 250**

Weight 2.4 kg  
 Single-acting  
 Max. pressurisation = 10 bar  
 Max. stroke = 35 mm  
 Air consumption per stroke/6 bar =  
 0.2 – 1.5 l  
 Ambient temperature = -20 °C – +80 °C

**Medium-stroke device type MH 250**

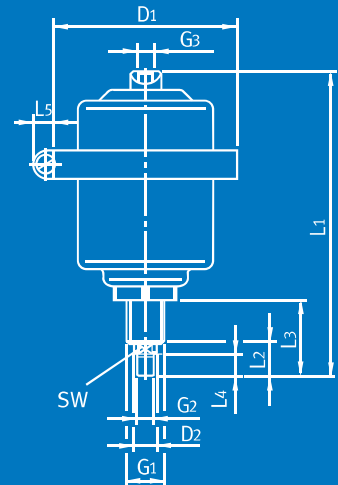
Weight 3 kg  
 Single-acting  
 Max. pressurisation = 10 bar  
 Max. stroke = 70 mm  
 Air consumption per stroke/6 bar =  
 0.2 – 2.5 l  
 Ambient temperature = -20 °C – +80 °C



**KH 250**



**MH 250**

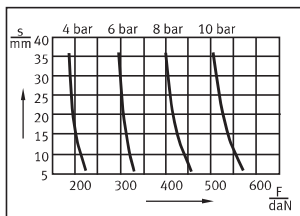


**Design:**

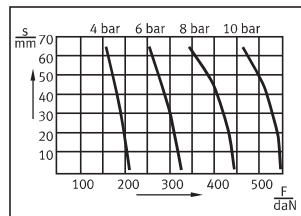
Housing: special deep-drawing sheet steel, galvanised. Piston rod made of stainless steel. Guide bushing with self-lubrication. Piston rod not rotating, due to riveting with diaphragm.

**Properties**

**Type KH 250**



**Type MH 250**



Dimensions											
Type	D1	D2	L1	L2	L3	L4	L5	G1	G2	G3	SW
KH 250	131,5	16	180	25,5	54	16	16	M26 x 1,5	M12	G 1/4	12
MH 250	131,5	16	218,5	25,5	54	16	16	M26 x 1,5	M12	G 1/4	12