

Short-stroke device type KH F 500

Weight 2.6 kg
 Single-/double-acting
 Max. pressurisation = 10 bar
 Max. stroke = 50 mm
 Air consumption per stroke/6 bar = 0.6–2.5 l
 Max. strokefrequency = 50/min. (at effective valve cross section of 50 mm²)
 Ambient temperature = -20 °C – +80 °C

Short-stroke device type KH F 1000

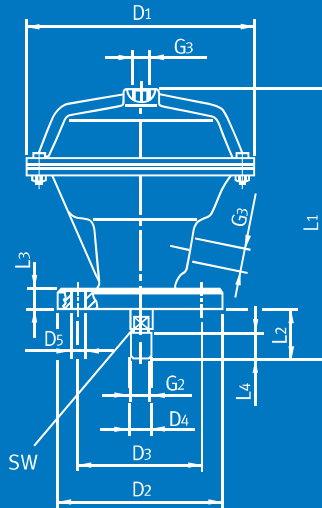
Weight 5.0 kg
 Single-/double-acting
 Max. pressurisation = 10 bar
 Max. stroke = 60 mm
 Air consumption per stroke/6 bar = 2–7.3 l
 Max. strokefrequency = 25/min. (at effective valve cross section of 50 mm²)
 Ambient temperature = -20 °C – +80 °C

Design:

Housing: Al-alloy spray painted.
 Piston rod made of stainless steel.
 Guide bushing with self-lubrication.
 Piston rod rotating.



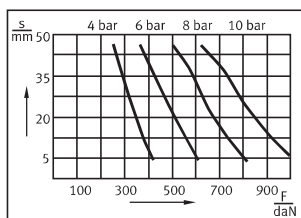
KH F 500



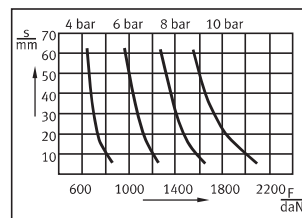
KH F 1000

Properties

Type KH F 500



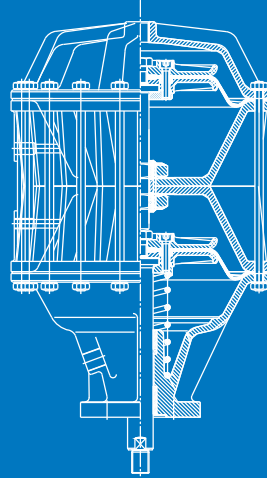
Type KH F 1000



Dimensions												
Type	D1	D2	D3	D4	D5	L1	L2	L3	L4	G2	G3	SW
KH F 500	166	120	90	16	9	190	29	14	20	M14 x 1.5	G 3/8	12
KH F 1000	215	120	90	20	11	271	53	14	24	M16 x 1.5	G 1/2	17



KH F 2000

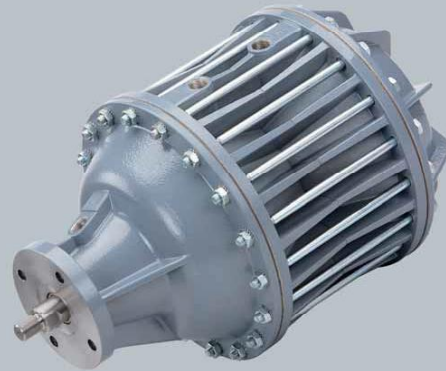
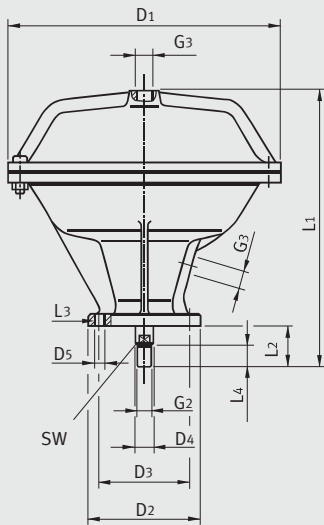


Short-stroke device type KH F 2000

Weight 10.6 kg
 Single-/double-acting
 Max. pressurisation = 10 bar
 Max. stroke = 80 mm
 Air consumption per stroke/6 bar = 4.5 – 20.3 l
 Max. strokefrequency = 10/min. (at effective valve cross section of 50 mm²)
 Ambient temperature = -20 °C – +80 °C

Short-stroke device type KH F 4000

Weight 26.3 kg
 Single-/double-acting
 Max. pressurisation = 10 bar
 Max. stroke = 80 mm
 Air consumption per stroke/6 bar = 10.5 – 42 l
 Max. strokefrequency = 12/min. (at effective valve cross section of 50 mm²)
 Ambient temperature = -20 °C – +80 °C



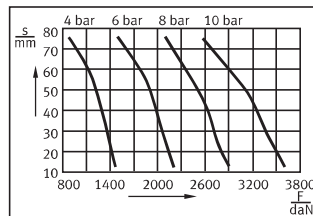
KH F 4000

Design:

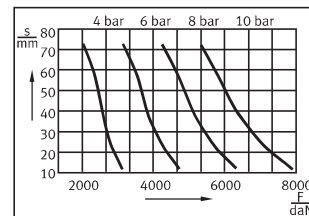
Housing: Al-alloy spray painted.
 Piston rod made of stainless steel.
 Guide bushing with self-lubrication.
 Piston rod rotating.

Properties

Type KH F 2000



Type KH F 4000



Dimensions

Type	D1	D2	D3	D4	D5	L1	L2	L3	L4	G2	G3	SW
KH F 2000	303	125	100	20	11	305	45	14	24	M16 x 1.5	G 1/2	17
KH F 4000	303	140	110	30	13	513	50	16	25	M20 x 1.5	G 1/2	27