

**Medium-stroke device type MH F 100**

Weight 0.9 kg  
 Single-acting  
 Max. pressurisation = 10 bar  
 Max. stroke = 50 mm  
 Air consumption per stroke/6 bar = 0.1–0.6 l  
 Max. strokefrequency = 100/min.  
 (at effective valve cross section of 50 mm<sup>2</sup>)  
 Ambient temperature = -20 °C – +80 °C

**Medium-stroke device type MH F 250**

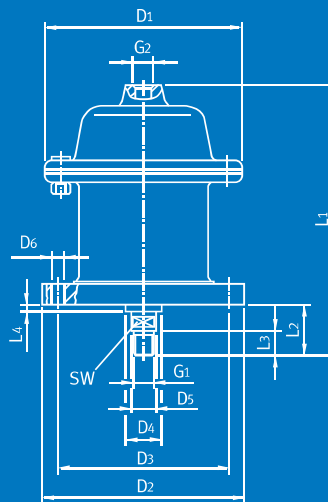
Weight 2.5 kg  
 Single-acting  
 Max. pressurisation = 10 bar  
 Max. stroke = 70 mm  
 Air consumption per stroke/6 bar = 0.5–2.5 l  
 Max. strokefrequency = 75/min.  
 (at effective valve cross section of 50 mm<sup>2</sup>)  
 Ambient temperature = -20 °C – +80 °C

**Design:**

Housing: Al-alloy spray painted.  
 Piston rod made of stainless steel.  
 Guide bushing with self-lubrication.  
 Piston rod rotating.



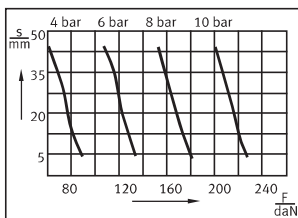
MH F 100



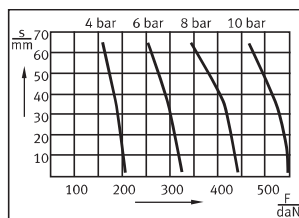
MH F 250

**Properties**

**Type MH F 100**

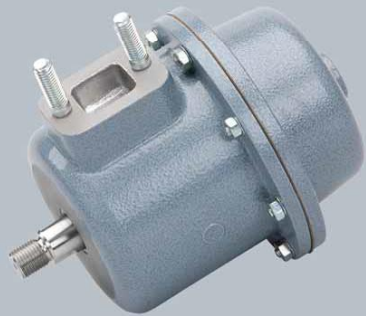


**Type MH F 250**

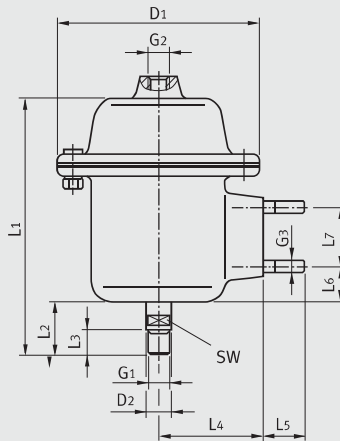


**Dimensions**

Type	D1	D2	D3	D4	D5	D6	L1	L2	L3	L4	G1	G2	SW
MH F 100	97	100	85	18	12	6.4	133	25	12	3.5	M10	G 1/4	10
MH F 250	135	150	130	26	20	9	183	33	17	3	M16 x 1.5	G 3/8	17



MH S 100



**Medium-stroke device type MH S 100**

Weight 0.85 kg  
 Single-acting  
 Max. pressurisation = 10 bar  
 Max. stroke = 50 mm  
 Air consumption per stroke/6 bar = 0.1–0.6 l  
 Max. strokefrequency = 100/min. (at effective valve cross section of 50 mm<sup>2</sup>)  
 Ambient temperature = -20 °C – +80 °C

**Medium-stroke device type MH S 250**

Weight 2.3 kg  
 Single-acting  
 Max. pressurisation = 10 bar  
 Max. stroke = 70 mm  
 Air consumption per stroke/6 bar = 0.5–2.5 l  
 Max. strokefrequency = 75/min. (at effective valve cross section of 50 mm<sup>2</sup>)  
 Ambient temperature = -20 °C – +80 °C



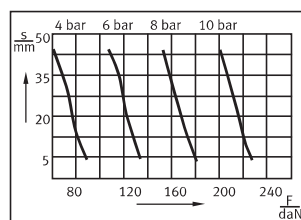
MH S 250

**Design:**

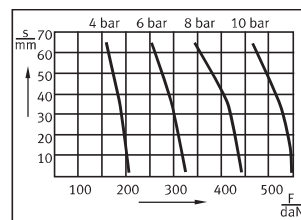
Housing: Al-alloy spray painted.  
 Guide bushing with self-lubrication.  
 Piston rod rotating.  
 Piston rod made of stainless steel.

**Properties**

**Type MH S 100**



**Type MH S 250**



**Dimensions**

Type	D1	D2	L1	L2	L3	L4	L5	L6	L7	G1	G2	G3	SW
MH S 100	97	12	133	25	12	50	20	17	28	M10	G 1/4	M6	10
MH S 250	135	20	183	33	17	70	20	19	44	M16 x 1.5	G 3/8	M10	17