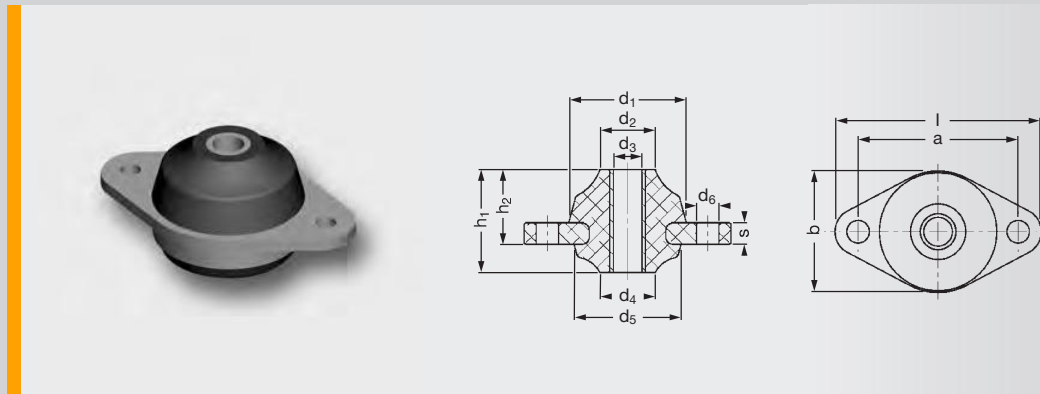
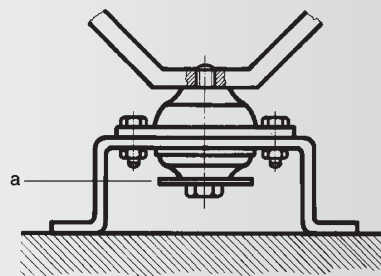
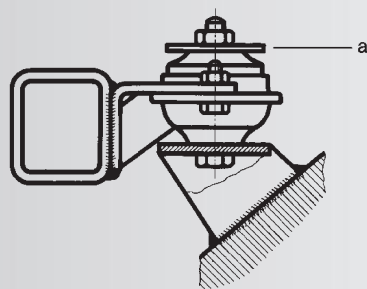


SCHWINGMETALL® Flange Mounts



Flange Mounts											
Dimensions											
a [mm]	b [mm]	d1 [mm]	d2 [mm]	d3 [mm]	d4 [mm]	d5 [mm]	d6 [mm]	h1 [mm]	h2 [mm]	l [mm]	s [mm]
45	34	33	15.5	8	15.5	—	6.3	29	21	58	6 ¹⁾
70	48	47	23.0	12	22	—	9	40	28	90	8 ¹⁾
94	71	68	33.0	16	37	65	9	54	33	117	5
94	71	68	39.0	16	37	65	9	49	28	117	5
94	71	68	52.0	16	48	65	9	44	21	117	5
114	90	82	40.0	20	42	80	13	68	40	150	6
114	90	82	49.0	20	42	80	13	62	34	150	6
114	90	82	60.0	20	53	80	13	51	23	150	6
138	108	96	45.0	20	47	95	13	82	46	174	8
138	108	96	58.0	20	47	95	13	76	40	174	8
138	108	96	62.0	20	63	95	13	68	29	174	8

¹⁾ plastic flange



Installation Example – The static load affects the higher spring part in both cases.

- **Installation Instruction**
The disks “a” depicted in both installation examples are required for correct function, but are not included in the scope of supply. The diameter of the disks must not be less than $d_1 - 5$ mm.

Spring Stiffness		Max. Loads		Max. Impact Load ²⁾		Mass Piece [kg]	Elastomer Hardness [Shore A]	Mould No.	Part No.
C _{x,y} [N/mm]	C _z [N/mm]	F _{x,y} [N]	F _z [N]	F _{impact load} X,Y [N]	F _{impact load} z [N]				
153	83	160	600	400	+700 / -1500 ³⁾	0.026	45	48684	■
237	125	280	700	400	+1500 / -2000 ³⁾	0.080	45	48685	■
227	140	720	1200	1800	+2500 / -5000	0.395	45	48686	■
273	245	720	1200	1800	+2500 / -5000	0.384	45	48687	■
307	356	720	1200	1800	+2500 / -5000	0.380	45	48688	■
290	158	1120	1800	2800	+5000 / -7500	0.785	45	48689	■
410	280	1120	1800	2800	+5000 / -7500	0.768	45	48690	■
550	435	1120	1800	2800	+5000 / -7500	0.730	45	48691	■
456	228	1800	2400	4500	+7500 / -10000	1.570	45	48692	■
460	247	1800	2400	4500	+7500 / -10000	1.540	45	48693	■
559	380	1800	2400	4500	+7500 / -10000	1.490	45	48694	■

²⁾ Maximum impact load at nominal load.

³⁾ During impact load procedure, the plastic flanges must be well reinforced.

■ made-to-order item

Directions of Loading

