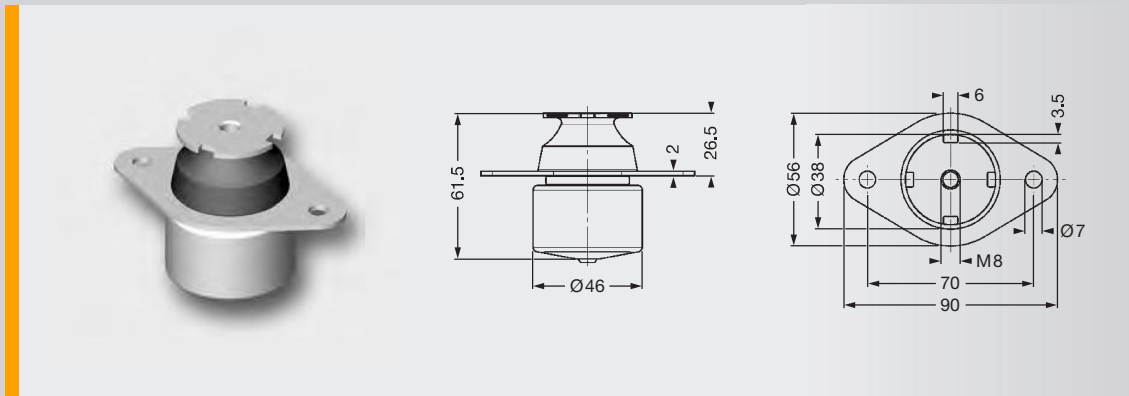
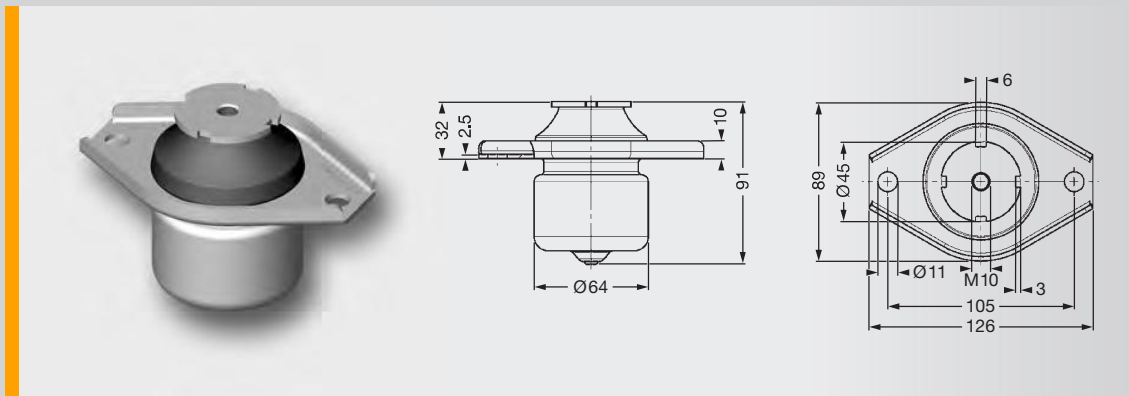


SCHWINGMETALL® Hydromounts



Hydromount V 250



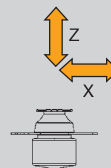
Hydromount V 600

Spring Stiffness				Max. Loads			Pull-Out Strength	Mass	Elastomer Hardness	Hydro-mount	Mould No.	Part No.
C _x [N/mm]	C _y [N/mm]	C _z [N/mm]	C _{dyn} [N/mm]	F _x [N]	F _y [N]	F _z [N]						
15	15	49	250	77	77	300	> 3	0.200	40	V 250	102216	3978814001
45	45	159	520	194	194	750	> 9	0.593	45	V 600	100787	3978810001
58	58	228	770	458	458	1500	>15	0.775	55	V 1500	54439	3978813001
74	74	290	1080	530	530	1750	>15	0.775	60	V 1500	54439	3978812010
115	115	450	1730	750	750	2450	>15	0.775	70	V 1500	54439	3978811001
108	108	568	1520	1035	1035	3500	>30	1.100	55	V 3200	210182	3978815001

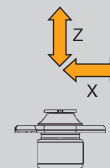
- ▶ Maximum permitted slanted position to direction of loading is 15°
- ▶ The fastening flange must be entirely supported outside of the mount

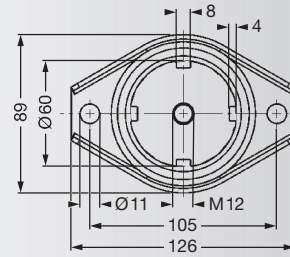
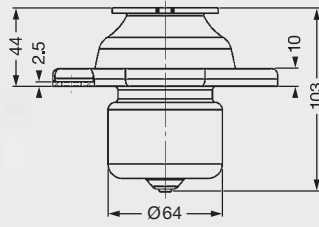
Characteristic Curves V Series
see pages 72–73 ▶

Directions of Loading

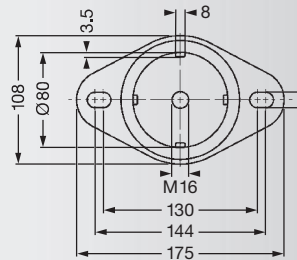
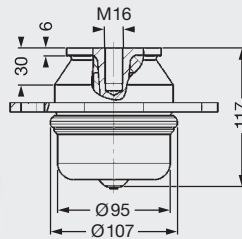


Directions of Loading



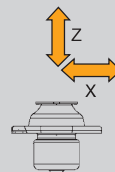


Hydromount V 1500

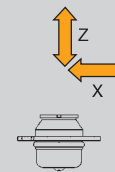


Hydromount V 3200

Directions of Loading

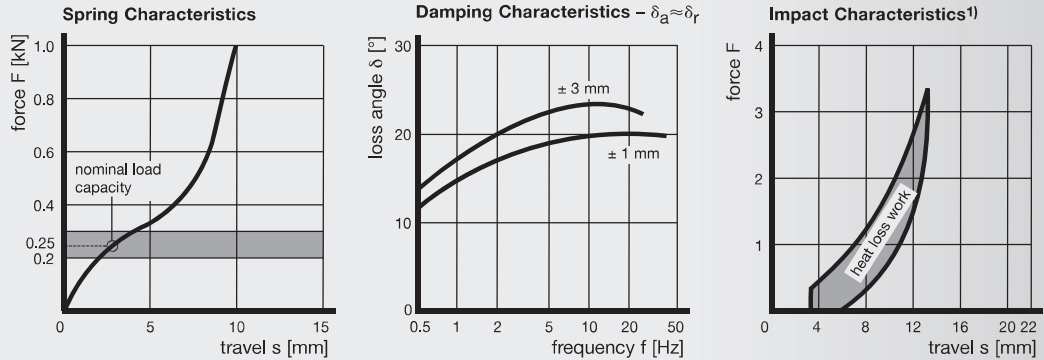


Directions of Loading

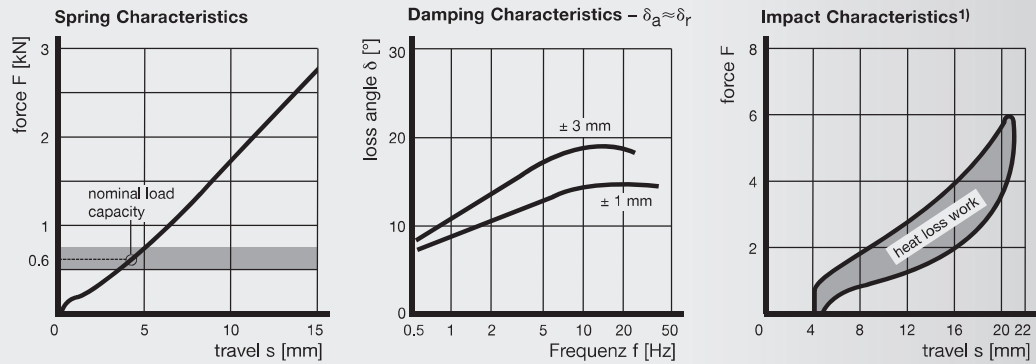


SCHWINGMETALL® Hydromounts

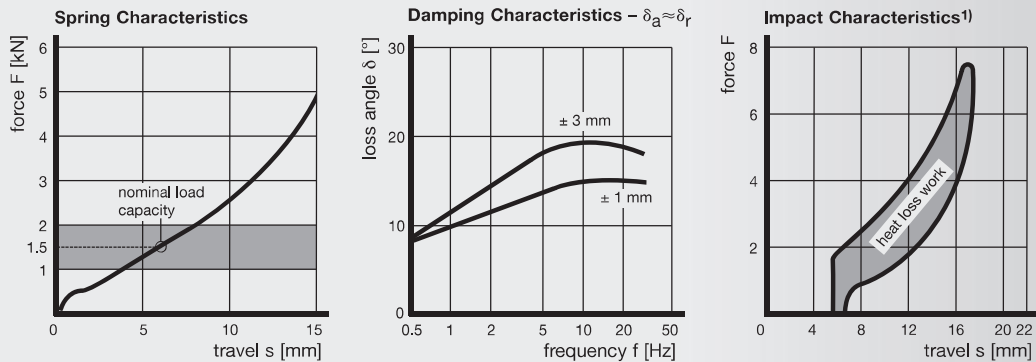
Characteristic Curves Hydromount V 250 40 Shore A



Characteristic Curves Hydromount V 600 45 Shore A

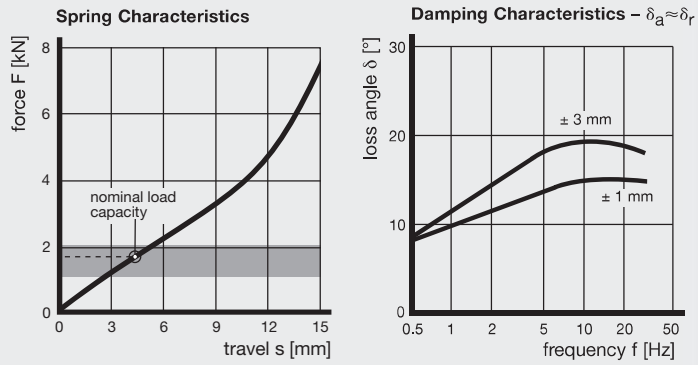


Characteristic Curves Hydromount V 1500 55 Shore A

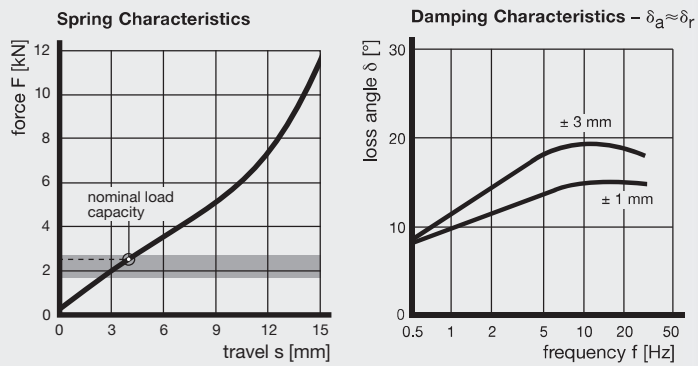


¹⁾ impact during nominal load

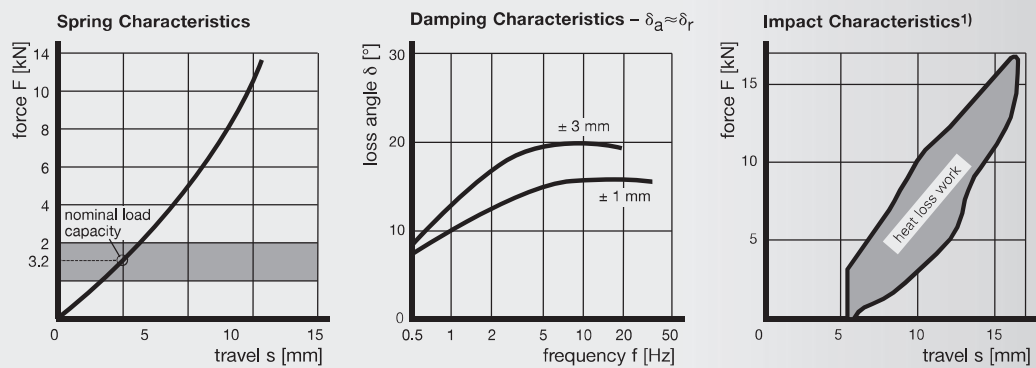
Characteristic Curves Hydromount V 1500 60 Shore A



Characteristic Curves Hydromount V 1500 70 Shore A

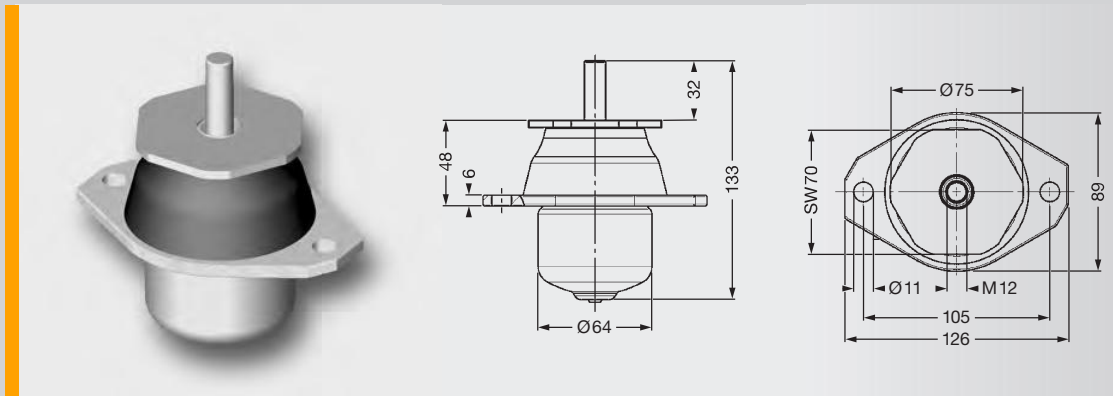


Characteristic Curves Hydromount V 3200 55 Shore A



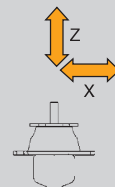
¹⁾ impact during nominal load

SCHWINGMETALL® Hydromounts

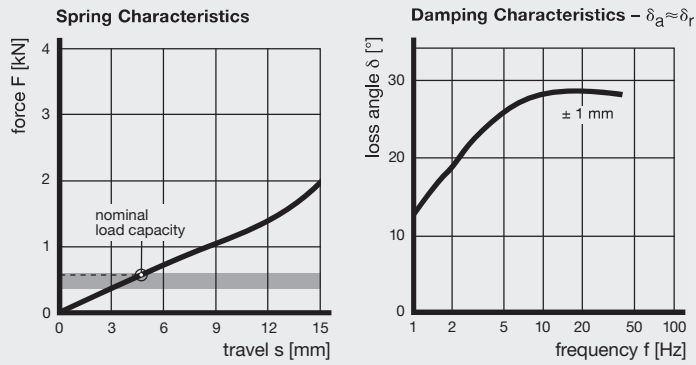


Spring Stiffness			Max. Loads			Mass Piece [kg]	Elas- tomer Hardness [Shore A]	Mould No.	Part No.
C_x [N/mm]	C_y [N/mm]	C_z [N/mm]	F_x [N]	F_y [N]	F_z [N]				
60	60	160	300	300	600	2.8	40	210 736	4000006782
100	100	300	600	600	1500	2.8	55	210 736	4000006507
150	150	500	800	800	2500	2.8	68	210 736	4000006740

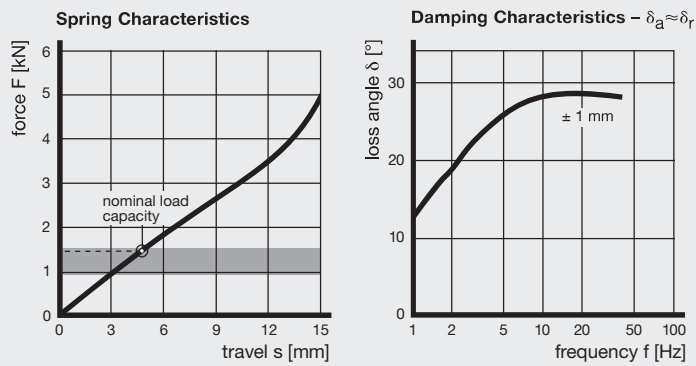
Directions of Loading



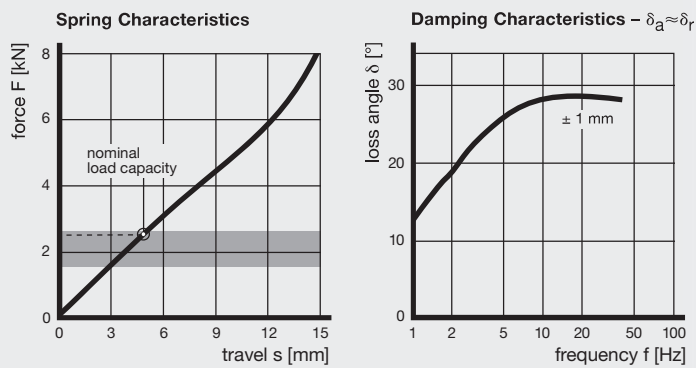
Characteristic Curves Hydromount V 1500 plus 40 Shore A



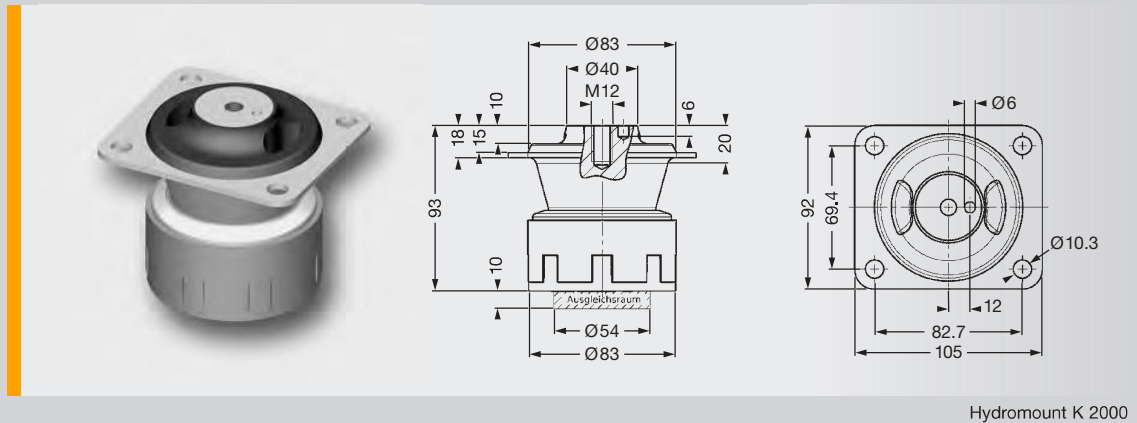
Characteristic Curves Hydromount V 1500 plus 55 Shore A



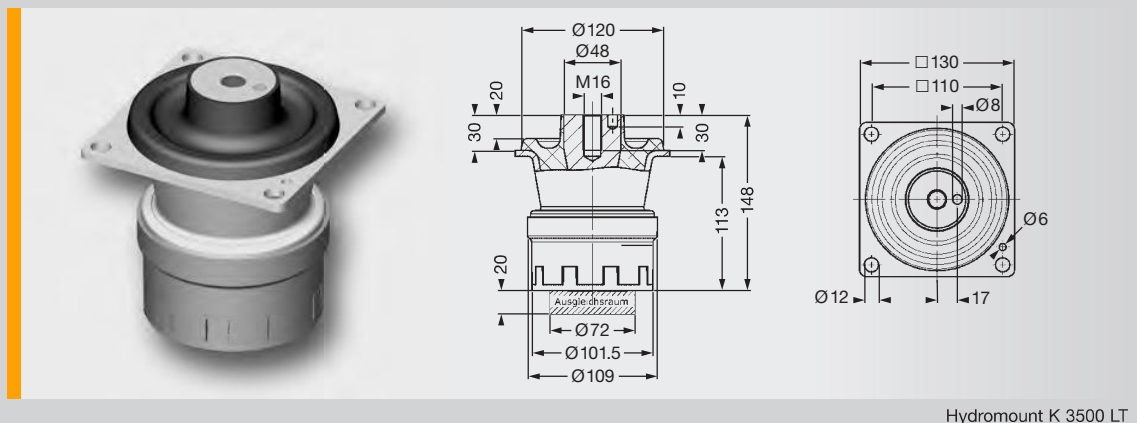
Characteristic Curves Hydromount V 1500 plus 68 Shore A



SCHWINGMETALL® Hydromounts



Hydromount K 2000



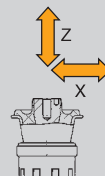
Hydromount K 3500 LT

Spring Stiffness			Max. Loads			Mass Piece [kg]	Elas- tomer Hardness [Shore A]	Hydro- mount	Mould No.	Part No.
C_x [N/mm]	C_y [N/mm]	C_z [N/mm]	F_x [N]	F_y [N]	F_z [N]					
1200	1500	390	4500	6000	1800	1.2	55	K 2000	212745	4000006687
500	500	250	2500	2500	1500	3.0	40	K 3500 LT	212706	4000006546
1000	1000	500	5000	5000	3000	3.0	55	K 3500 LT	212706	4000006547
2400	2400	1000	5000	5000	3500	3.2	65	K 3500	210470	4000005321

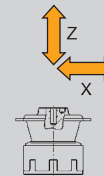
- Hydromount K 2000: stopper disk in z direction min. Ø 80 mm required
- Hydromount K 3500 LT: stopper disk in z direction min. Ø 120 mm required
- Hydromount K 3500: stopper disk in z direction min. Ø 120 mm required

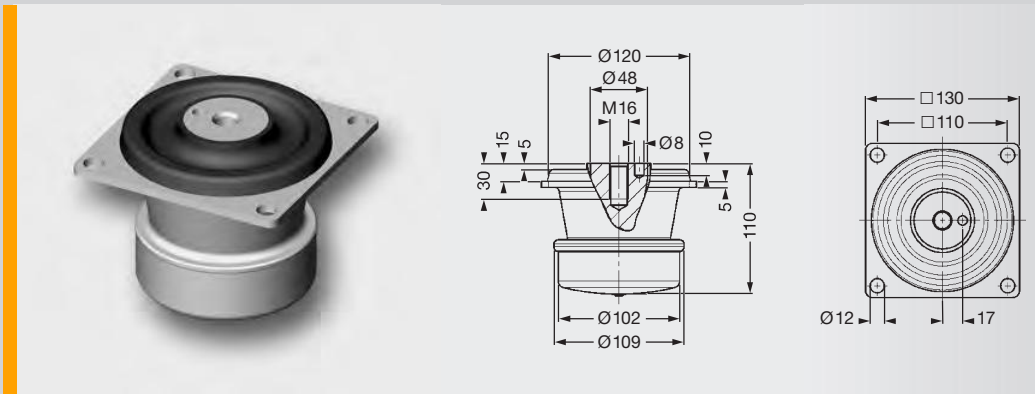
Characteristic Curves K Series
see pages 78–79 ►

Directions of Loading



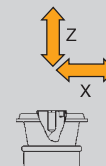
Directions of Loading





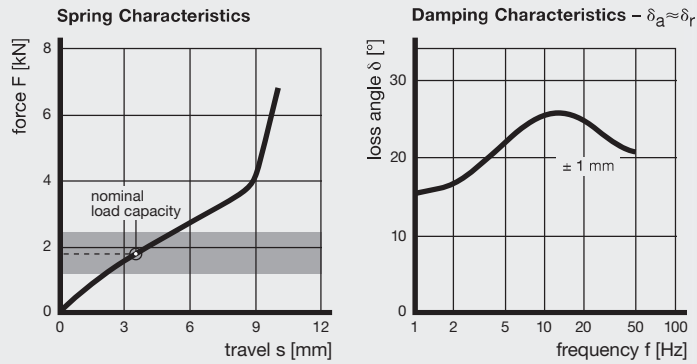
Hydromount K 3500

Directions of Loading

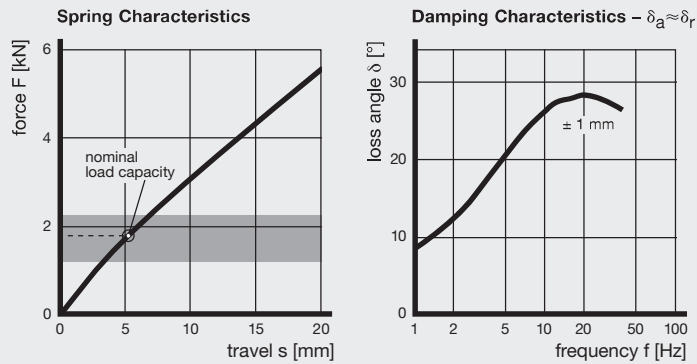


SCHWINGMETALL® Hydromounts

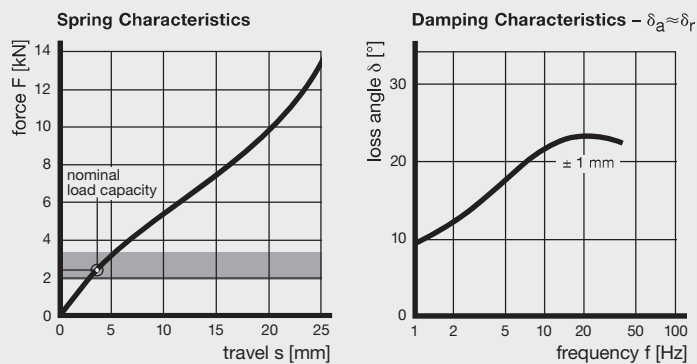
Characteristic Curves Hydromount K 2000 55 Shore A



Characteristic Curves Hydromount K 3500 LT 40 Shore A



Characteristic Curves Hydromount K 3500 LT 55 Shore A



Characteristic Curves Hydromount K 3500 65 Shore A

